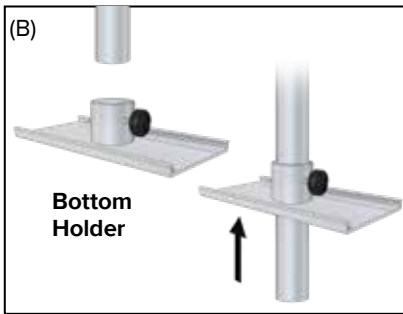


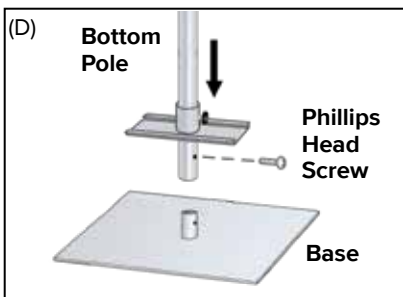
1. Flip lever on pole to the side to unlock. Lift up top pole. Flip lever back to lock (fig. A).



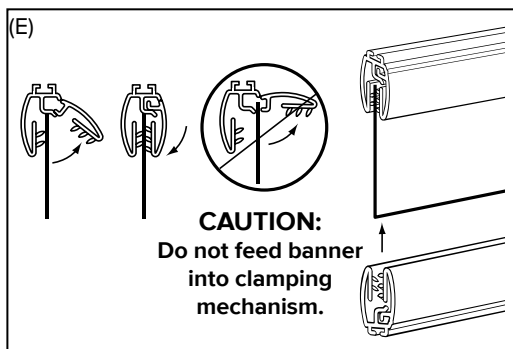
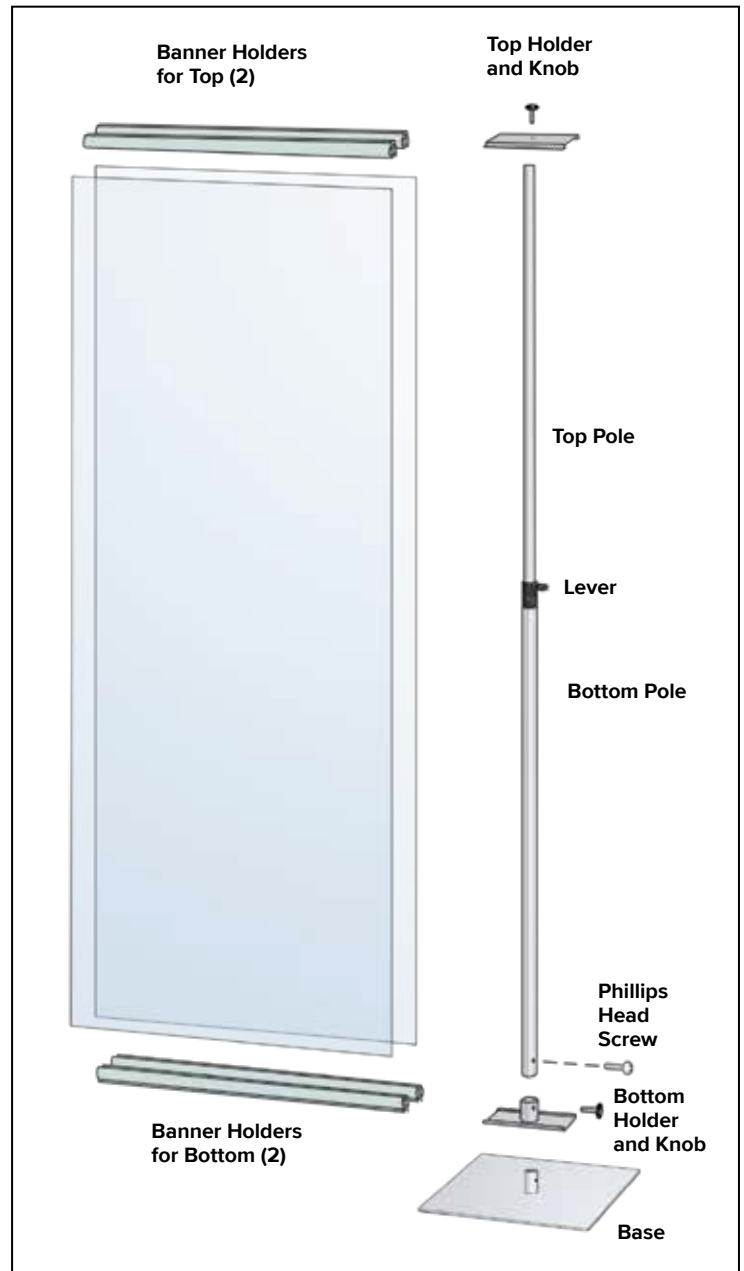
2. Slide bottom holder onto largest diameter pole with knob section facing upwards and secure with knob (fig. B).



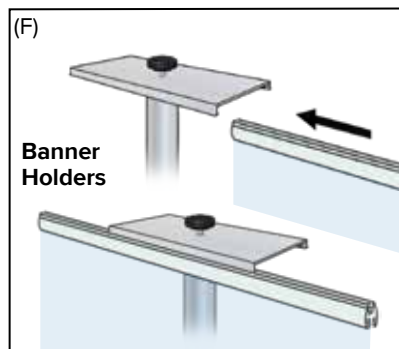
3. Screw top holder onto top pole using knob (fig. C).



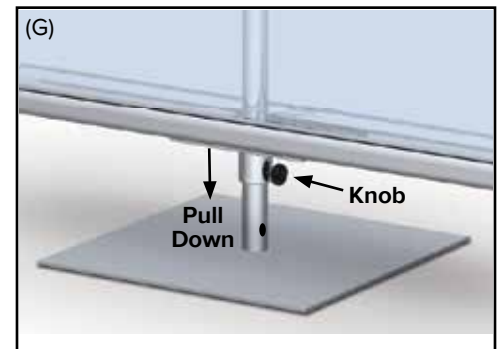
4. Insert bottom pole onto base. Line up holes. Fasten pole onto base using Phillips head screw (fig. D).



5. Lay banner flat. Open Banner Holder, insert graphic and clamp shut (fig. E).



6. Slide Banner Holders into top and bottom holders (fig. F).



7. Adjust position of bottom clamp by loosening knob, pull banner taut and retighten knob (fig. G).